



# Installation, and Operating Instructions

## Bike Carrier Light Kit

### Part Number 7984

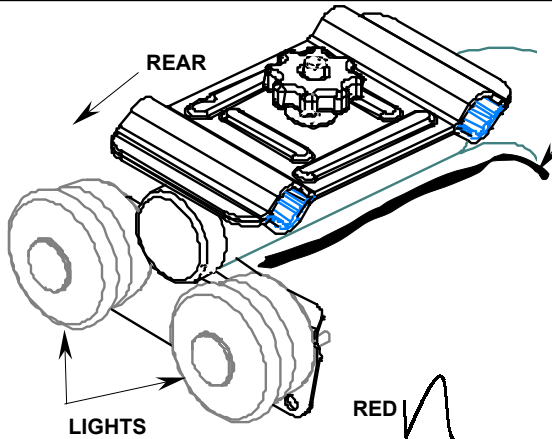
### For Use On #7980, #7982

**WARNING:** Do not lubricate threads. Bolt failure may occur due to over tightening.

**WARNING:** Do not cut, drill, or weld to this product

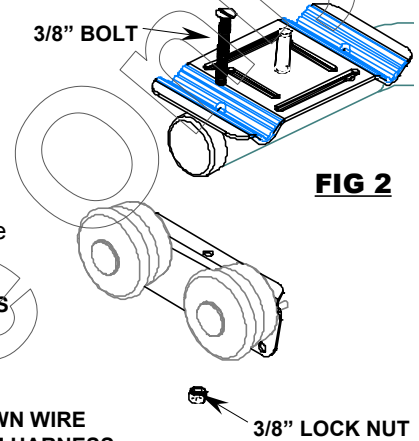
**WARNING:** For 12-Volt vehicle systems only

**TOOLS REQUIRED**  
 9/16" & 7/16" SOCKET  
 FLATHEAD SCREWDRIVER

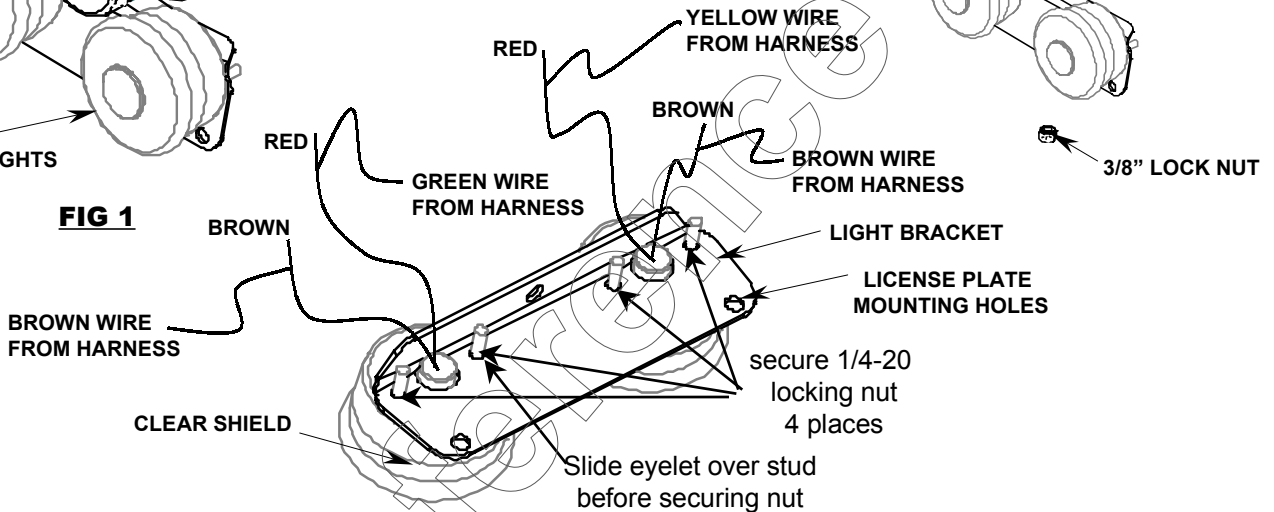


**FIG 1**

**NOTE:** For Use with 7980 run wiring for lights down along the outside of the round tube to the wiring harness. Use wire ties to secure it in place. For use with 7982 you will be able to run the wiring inside the tube



**FIG 2**



**FIG 3**

### INSTALLING THE LIGHTS

1. For the 2-bike carrier (part # 7980), locate the wiring outside the tube. For the 3-bike tilting carrier (part #7982) locate the wiring inside the tube. Make sure to fish the stripped wire ends through tubes so they come out the top of the bike carrier.
2. Place lights on light bracket so the clear shield will face the ground. This will allow the license plate to be lighted. Slide the white wire (ground) with the eyelet over one of the light studs before securing with nut. Tighten nuts to secure lights to the bracket leaving the wires coming out the back as shown in FIG 3.
3. Using the wire nuts provided, attach the yellow wire on the harness to the red wire on the left (driver's side) taillight. Using the wire nuts provided, attach the green wire on the harness to the red wire on the right (passenger side) taillight. Then attach the two taillight brown wires to the brown harness wire.
4. Connect bike carrier light kit 4-flat plug to the vehicles 4-flat plug and test the installation. Turn on vehicle parking or head lights. Both taillights should light. Turn off vehicle lights and activate turn signals. The taillights should flash on the correct side. Turn off turn signals and have someone depress the brake pedal. Both taillights should light (should be brighter than taillight lights). If either light does not work properly, check its mounting on the light bracket. If turn signals, brake lights, or running lights do not operate properly, check connections to the vehicle wiring harness.
5. Place 3/8" bolt into the center of the first bike mounting position. See FIG2. Place light bracket on end of bolt and secure with 3/8" lock nut. See FIG 2. Make sure your lights are perpendicular to the bike carrier as shown in FIG 1. If installed on 7980 bike carrier use nylon ties provided and secure the harness to the bike carrier tube. Check to make sure not to pinch the wire harness in any part of the bicycle carrier.
6. When bike carrier is mounted, it should not impair the visibility of the license plate. There are two holes in the light bracket to accommodate your license plate. If bike carrier impairs the visibility of the license plate, relocate to bike carrier with holes provided. Fasteners not included.